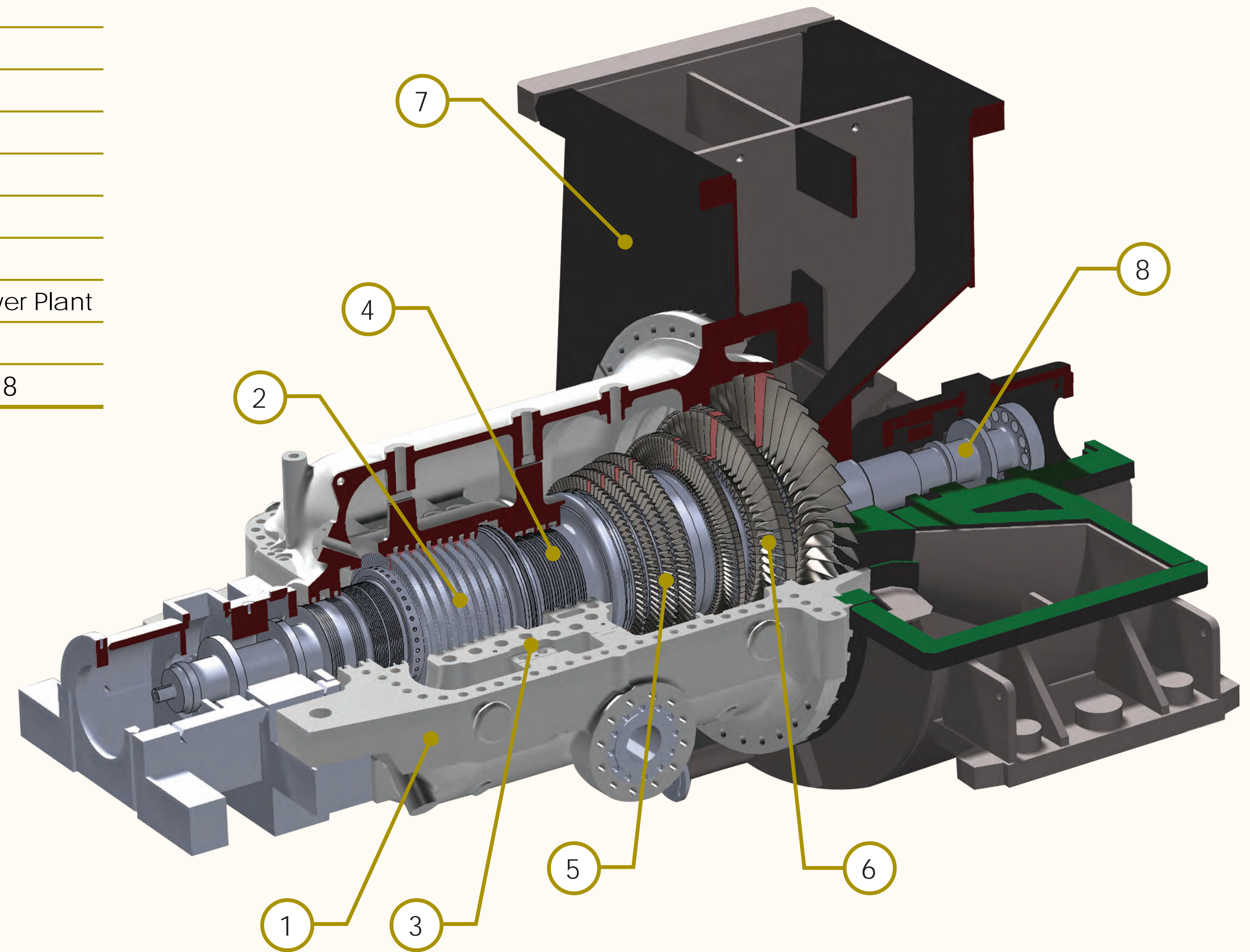


No.	Parameters	Unit	Value
1	Gross Power Output*	MW	10.9
2	CCPP Efficiency (with MGT-30)*	%	48.5
3	Shaft Speed	rpm	8000
4	Inlet Flow	kg/s	9.58
5	Inlet Pressure	bar	40
6	Inlet Temperature	°C	470
7	Admission Steam Flow	kg/s	1.87
8	Admission Steam Pressure	bar	8
9	Admission Steam Temperature	°C	228
10	Design condenser pressure	bara	0.09
11	Application	-	Combined Cycle Power Plant
12	Weight (Core Engine)	tonne	50
13	Dimensions (Length×Width×Height)	m	3.5 x 2.1 x 3.8

\* Nominal Power at ISO Conditions.



- 1- Outer Casing
- 2- HP Section
- 3- Inner Casing
- 4- Sealing
- 5- IP Section
- 6- LP Section
- 7- Exhaust Casing
- 8- Rotor